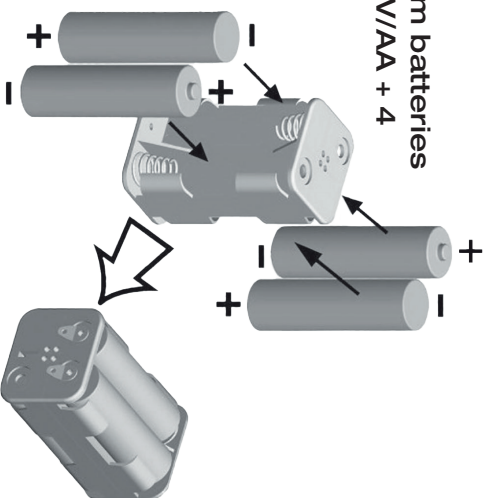
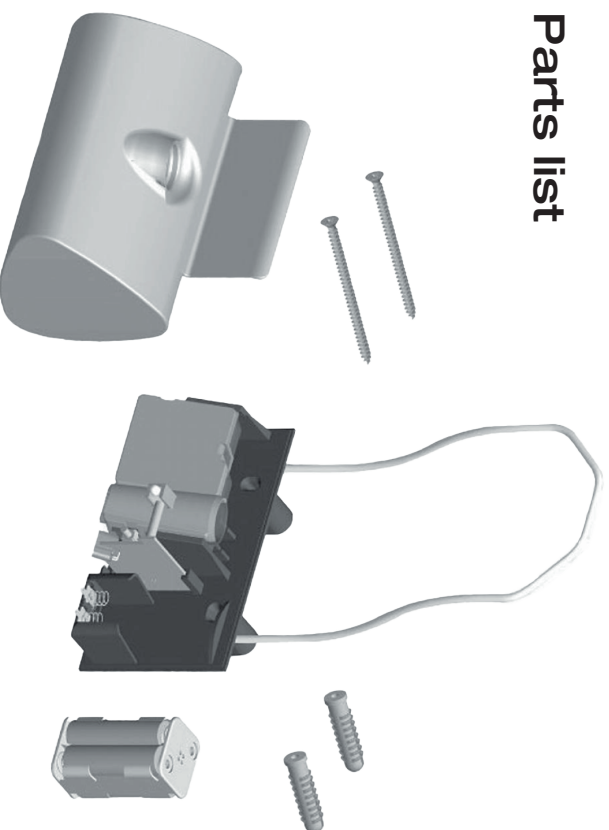


Replacement of batteries

Only Lithium batteries
LR6/1.5V/AA + 4

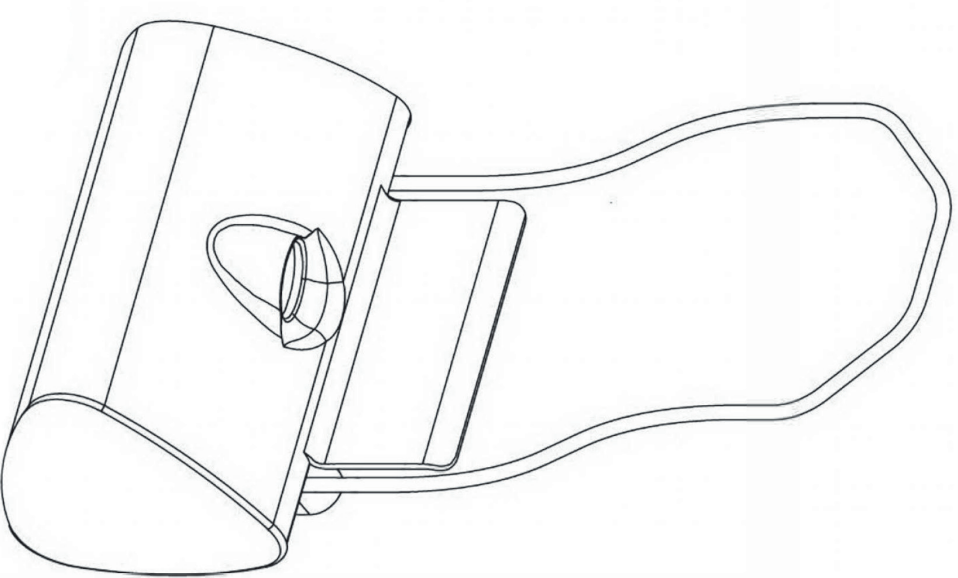


Parts list



COMBIPLUM ELECTRONIC DISPENSER

MONTERINGSVEJLEDNING • FIXING INSTRUCTIONS
MONTAGEANLEITUNG • INSTRUCTIONS DE MONTAGE



KiILTO

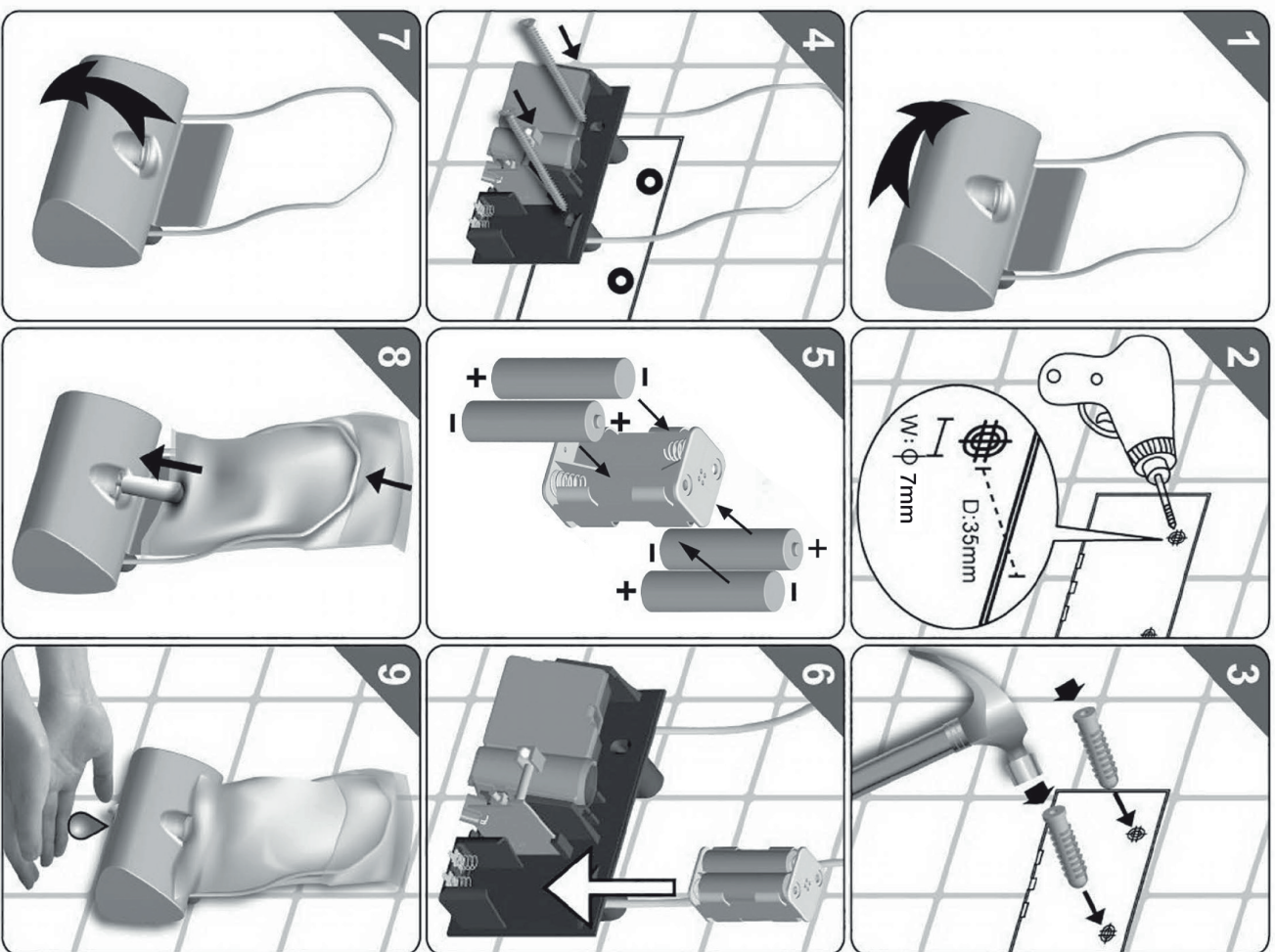
KiiltoClean A/S

Frederik Plums Vej 2, DK-5610 Assens

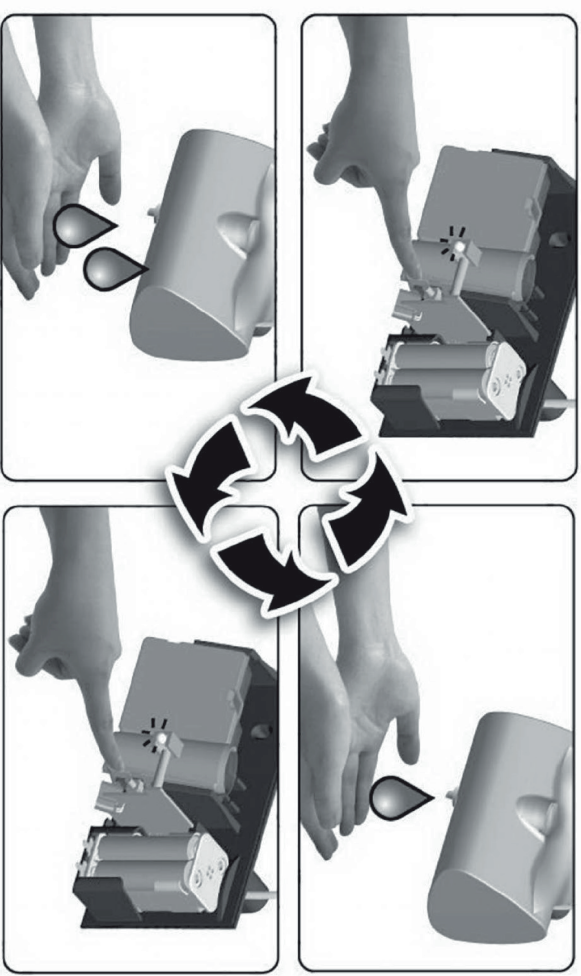
Tel.: 6471 2112 • info.dk@kiilto.com • www.kiilto.dk

plum

Steps



Drop Cycle Setting Procedure



After inserting batteries and before use, the diode must blink 4 times. In case of continuous blinking, batteries must be checked. In case of constantly light, the batteries must be changed.

